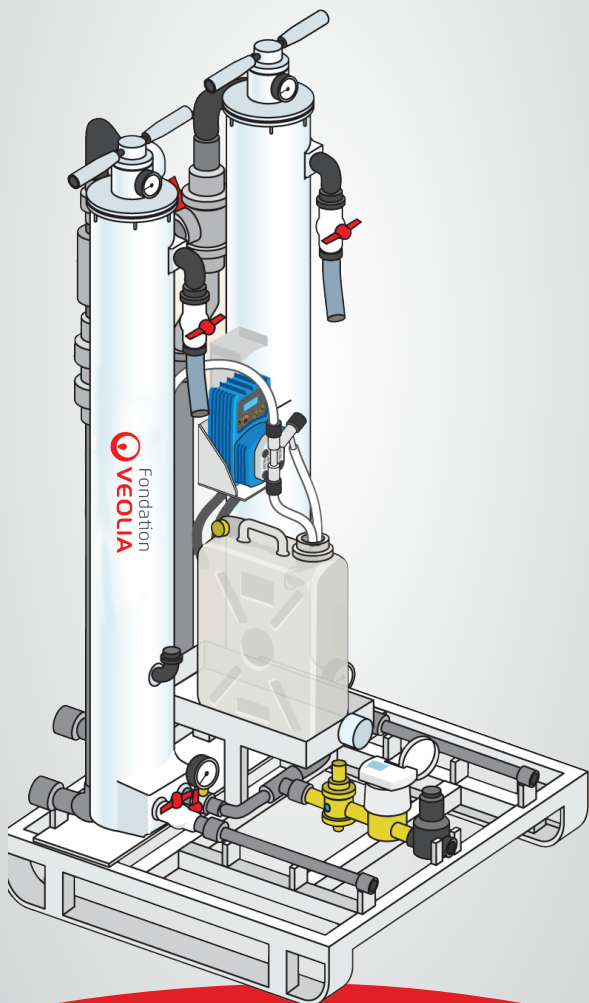


Aquaforce 2000

Mobile water treatment unit by ultrafiltration
Capacity: 2,000 people



The mobile unit

► A **treatment unit** particularly adapted to production in remote areas, with difficult access, and particularly adapted to the humanitarian context, for direct distribution or support to hospitals and medical structures.

► The **portability and start-up speed** allow isolated populations, up to 2000 people, to be reached quickly with a flow rate of 2m³/h from raw water.

► The **simplicity of the implementation** combined with the robustness of the materials allow non-expert personnel to quickly be able to operate the station in the long term.

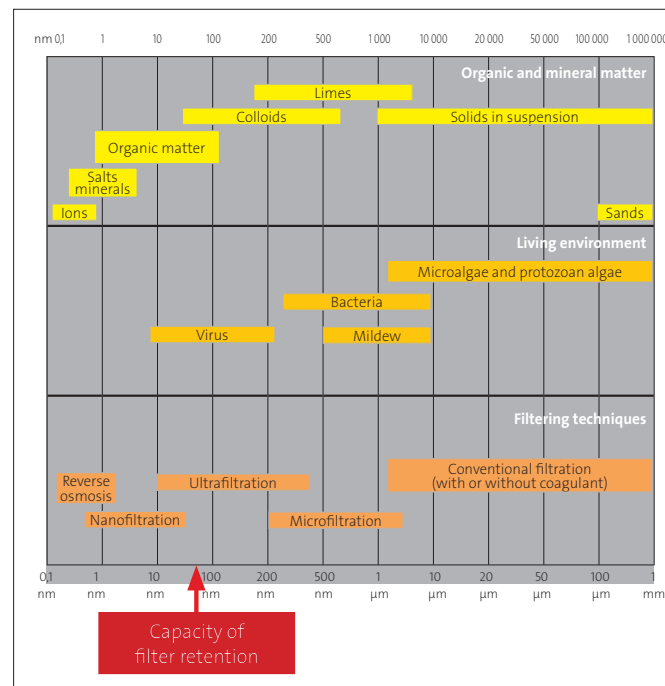
TECHNICAL INFORMATION

Weight: 270 kg
Volume: 2.5 m³
Flow rate: 2.00 m³/h
Capacity: 2,000 people*
Material: 316L stainless steel
Exterior coating: epoxy paint
Mounting time: 2h
Cut-off threshold: 0.04µm

*According to WHO recommendations.

Ultrafiltration

Equipped with ultrafiltration membranes with a cut-off threshold of 0.04µm, Aquaforce 2000 naturally stops all colloids and bacteria, as well as some of the viruses potentially present in raw water. The treatment is completed by the injection of chlorine to finalize the disinfection and ensure persistence in the distributed water.



In the field

Haiti, 2016: Hurricane Matthew

Six stations are deployed in remote and hard-to-reach areas. The Aquaforce 2000 is transported by helicopter and pickup truck.

► Raw water up to 380 NTU ◀



Mali, 2012: Fight against cholera on the Niger River

Two units are loaded on pinnaces to ensure itinerant water production for villages along the Niger River.

► Raw water up to 80 NTU ◀



On many other fields:

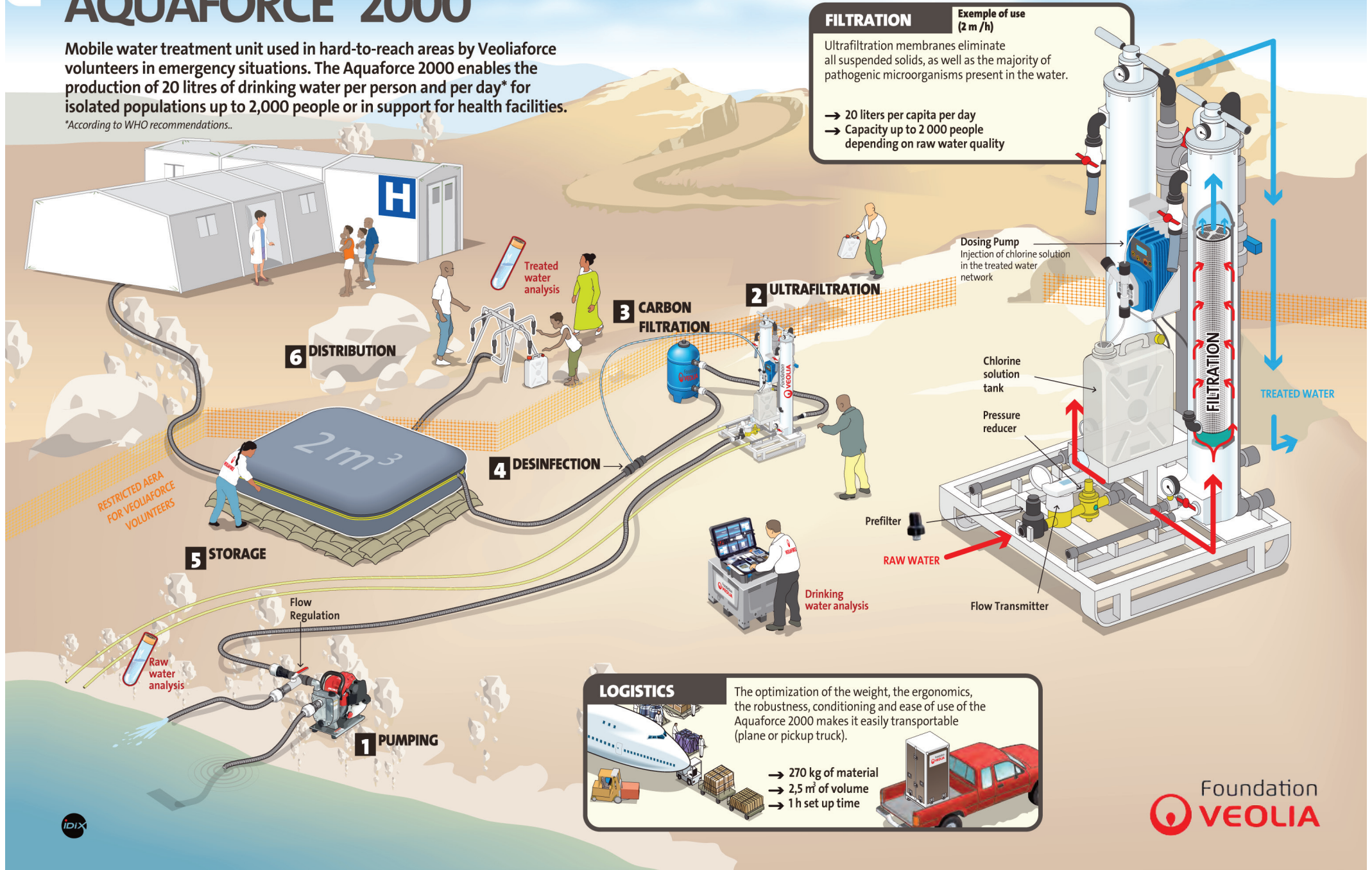
- In 2017, in Iraq, during the Battle of Mosul, a unit was deployed to provide water to the Qayyara hospital behind the front line.
- In 2016, in Ecuador, after an earthquake, two stations were deployed to reinforce the water supply to two districts of cities affected by the earthquake (raw water up to 650 NTU).

etc.

AQUAFORCE 2000

Mobile water treatment unit used in hard-to-reach areas by Veoliaforce volunteers in emergency situations. The Aquaforce 2000 enables the production of 20 litres of drinking water per person and per day* for isolated populations up to 2,000 people or in support for health facilities.

*According to WHO recommendations..



FILTRATION

Example of use
(2 m³/h)

Ultrafiltration membranes eliminate all suspended solids, as well as the majority of pathogenic microorganisms present in the water.

- 20 liters per capita per day
- Capacity up to 2 000 people depending on raw water quality

Dosing Pump
Injection of chlorine solution in the treated water network

Chlorine solution tank
Pressure reducer

Prefilter

RAW WATER

Flow Transmitter

TREATED WATER

LOGISTICS

The optimization of the weight, the ergonomics, the robustness, conditioning and ease of use of the Aquaforce 2000 makes it easily transportable (plane or pickup truck).

- 270 kg of material
- 2,5 m³ of volume
- 1 h set up time

